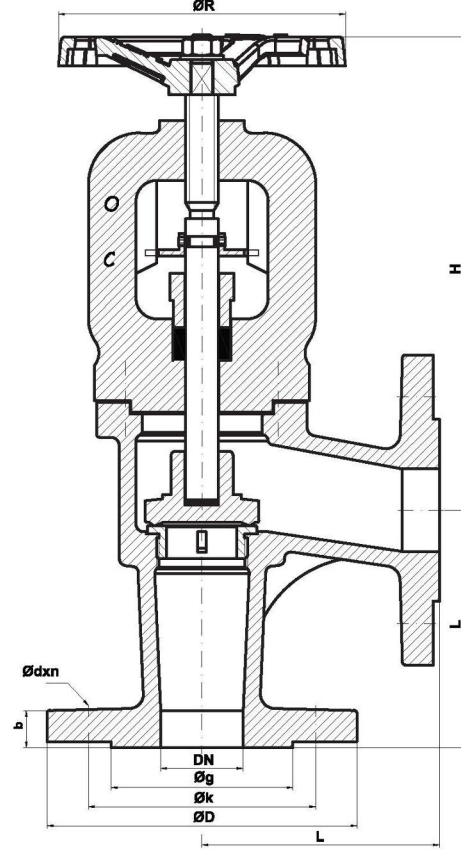


Glob Vana(Gönye Tip) / Globe Valve(Angle Type)



NO	PARÇA ADI	PART NAME	MATERIAL
1	GÖVDE	BODY	GG25/GGG40.3/GS-C25/RG5-10/CF8/CF8M
2	SİT	SEAT	Alu Bronze / AISI 420
3	MİL	STEM	AISI 420 / MS58
4	İNDİKATÖR	INDICATOR	ST37
5	KAPAK	BONNET	GG25/GGG40.3/GS-C25/RG5-10/CF8/CF8M
6	KLAPE	DISC	RG5/AISI 420
7	CONTA	GASKET	KLINGRIT
8	SETSKUR	SCREW	AISI 304
9	SALMASTRA	PACKING	GRAPHITE
10	GLEN	GLAND	GGG40.3
11	T CİVATA	T BOLT	6.8 STEEL
12	CİVATA	BOLT	8.8 STEEL
13	HENDİL	HANDWHEEL	GG25
14	SOMUN & PUL	NUT & WASHER	STEEL

DN	ØD	Øk	Øg	L	b	ØR	H	STROK	Ødxn	KG
15	95	65	45	90	14	110	190	9	14x4	4,85
20	105	75	58	95	16	110	190	9	14x4	5,5
25	115	85	68	100	16	110	200	12	14x4	6,5
32	140	100	78	105	18	140	200	13	18x4	8,25
40	150	110	88	115	18	140	230	15	18x4	10,5
50	165	125	102	125	20	160	235	20	18x4	13,5
65	185	145	122	145	20	160	260	22	18x4	18
80	200	160	138	155	22	200	280	25	18x8	23
100	220	180	158	175	24	220	330	30	18x8	36
125	250	210	188	200	26	250	340	34	18x8	54
150	285	240	212	225	26	300	405	42	22x8	72
200	340	295	268	275	30	400	440	55	22x12	116
250	405	355	320	325	32	500	510	65	26x12	169
300	460	410	370	375	32	500	575	78	26x12	240
350	520	470	430	425	36	500	775	100	26x16	325
400	580	525	482	475	38	500	840	115	29,5x16	394

UYGULAMA ALANLARI / APPLICATIONS

DENİZ SUYU, TATLI SU, YAĞ VE 220°C KADAR BUHAR DEVRELERİNDE
SEA WATER, FRESH WATER, OIL AND STEAM UP TO 220°C SYSTEMS

ÇALIŞMA ŞARTLARI / WORKING CONDITIONS: DIN 2401
BAĞLANTILAR / ENDS; DIN 1092-2

ÇALIŞMA SICAKLIĞI / WORKING TEMP.: -10°C / 220°C

ÇALIŞMA BASINCI / WORKING PRESSURE : PN16, PN25, PN40

FACE TO FACE DIMENSIONS TS EN 558-1

RENKLER / COLORS

PIK DÖKÜM VANALAR / GREY CAST IRON VALVES : MAVİ / BLUE
SFERO DÖKÜM VANALAR / DUCTILE IRON VALVES : ZEYTİN YEŞİL / OLIVE GREEN
SERTİFİKALI VANALAR / CERTIFICATE VALVES : LACİVERT / ULTRAMARINE BLUE

GÖVDE SEÇENEKLERİ / BODY OPTIONS :

GG25/GGG40.3/GS-C25/RG5-10/CF8/CF8M